

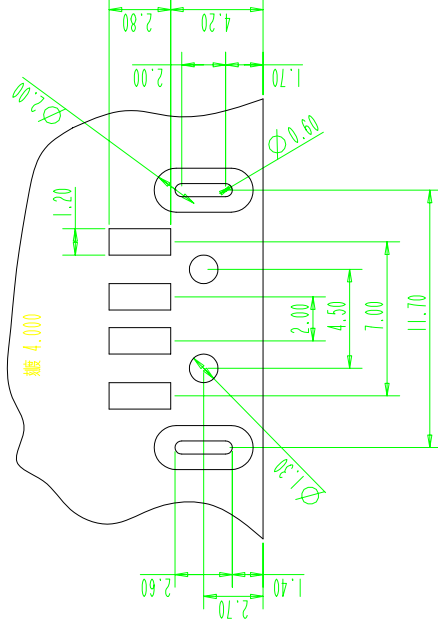
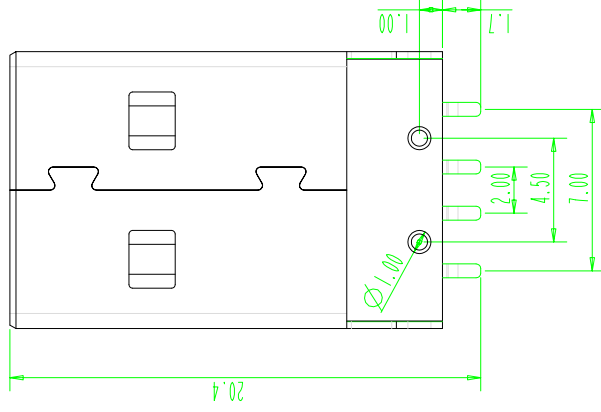
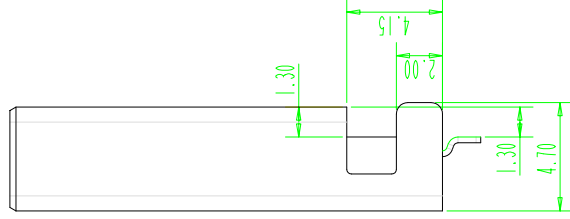
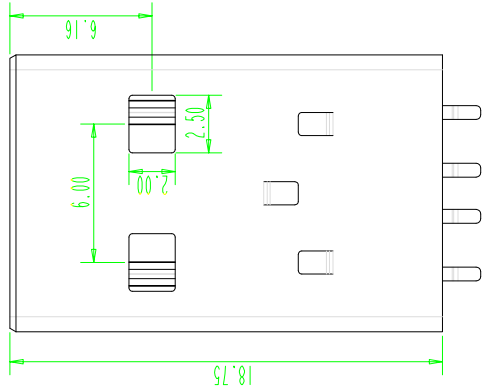
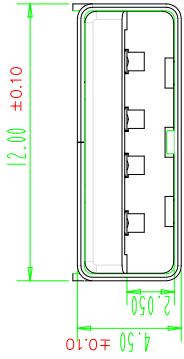
REV.	DESCRIPTION	DATE
A	RELEASE	10/01/2008

NOTE

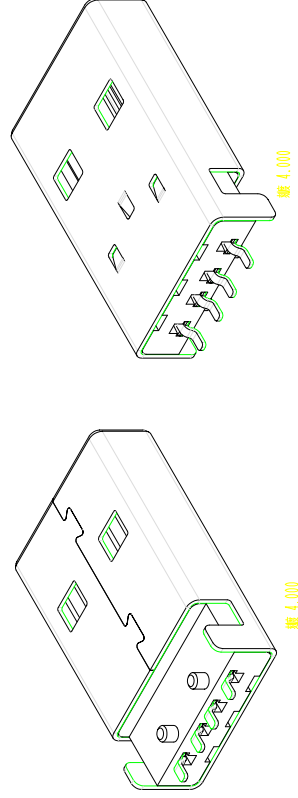
- A. Insulator : High temp. plastic ,UL 94V-0 .
- B. Contact : Brass T=0.25mm.
- C. Plating : Selective gold plated on contact area ; min 50u" Nickel plated all over ; min 100u" Sn on solder tail area.
- D. Shell : Steel SPCC T=0.30mm
- E. Shell Plating : min 60u" Nickel Plated.

Electrical :

- A. Voltage: 30VAC(rms).
- B. Current: 0.5A
- C. Contact Resistance: 30mΩ maximum
- D. Insulation resistance: 1000MΩ minimum
- E. Dielectric withstanding voltage: 500V AC
- F. Temperature: -55°C to +80°C
- G. Durability: > 1500 cycles.



RoHS



TOLERANCE	DRAWER	S L C Sun-Light Electronic Technologies Inc. NAME USB Connector A Type Plug SMT Series (Offset:1.3mm Straight feet 4.70mm)
.X ±0.300	Chin Chau Sui	
.XX ±0.200	NAME	
.XXX±0.100	DESIGNED	
 UNITS : mm	APPROVAL	DRAW NO.
	Chin Chau Sui	10/01/2008
SCALE	DATE	SHEET
2.5 : 1	10/01/2008	1 OF 1
	SIZE	REV.
	A4	A